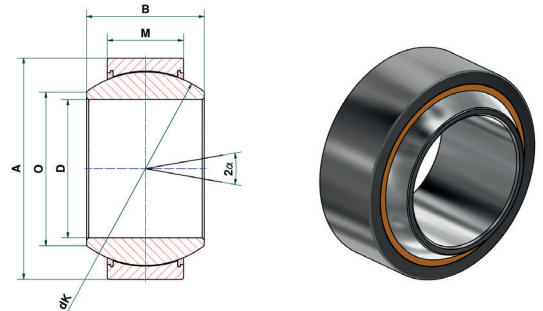


# Spherical plain bearings GE...GWM-NIRO-2RSF with media-resistant sliding layer FLUROGLIDE®-MEDIA SOLID

Spherical plain bearing series G  
DIN ISO 12240-1, mating surface, hard chrome/  
FLUROGLIDE®-MEDIA SOLID, maintenance-free

Larger tilting angle due to wider inner ring



Size (D)	B	M	A	O	dK	Static load ratings C <sub>0</sub> kN	Dynamic load ratings C kN	Tilting angle α (°)	Weight g
25 <sup>0</sup> <sub>-0,010</sub>	28	18	47 <sup>0</sup> <sub>-0,011</sub>	29,5	40,7	219	120,5	17	203
30 <sup>0</sup> <sub>-0,010</sub>	32	20	55 <sup>0</sup> <sub>-0,013</sub>	34,4	47	282	155	17	280
35 <sup>0</sup> <sub>-0,012</sub>	35	22	62 <sup>0</sup> <sub>-0,013</sub>	39,7	53	373	205	16	380
40 <sup>0</sup> <sub>-0,012</sub>	40	25	68 <sup>0</sup> <sub>-0,013</sub>	44,7	60	480	264	17	530
45 <sup>0</sup> <sub>-0,012</sub>	43	28	75 <sup>0</sup> <sub>-0,013</sub>	50,0	66	591	325	15	670
50 <sup>0</sup> <sub>-0,012</sub>	56	36	90 <sup>0</sup> <sub>-0,015</sub>	57,1	80	921	506	17	1.400
60 <sup>0</sup> <sub>-0,015</sub>	63	40	105 <sup>0</sup> <sub>-0,015</sub>	67,0	92	1.177	647	17	2.100
70 <sup>0</sup> <sub>-0,015</sub>	70	45	120 <sup>0</sup> <sub>-0,015</sub>	78,2	105	1.512	931	16	3.000
80 <sup>0</sup> <sub>-0,015</sub>	75	50	130 <sup>0</sup> <sub>-0,018</sub>	87,1	115	1.840	1.012	14	3.600
90 <sup>0</sup> <sub>-0,020</sub>	85	55	150 <sup>0</sup> <sub>-0,018</sub>	98,3	130	2.288	1.258	15	5.300
100 <sup>0</sup> <sub>-0,020</sub>	85	55	160 <sup>0</sup> <sub>-0,025</sub>	111,2	140	2.464	1.355	14	6.000
110 <sup>0</sup> <sub>-0,020</sub>	100	70	180 <sup>0</sup> <sub>-0,025</sub>	124,8	160	3.584	1.971	12	9.800
120 <sup>0</sup> <sub>-0,020</sub>	115	70	210 <sup>0</sup> <sub>-0,030</sub>	138,4	180	4.032	2.217	16	14.600
140 <sup>0</sup> <sub>-0,025</sub>	130	80	230 <sup>0</sup> <sub>-0,030</sub>	151,9	200	5.120	2.816	16	18.600
160 <sup>0</sup> <sub>-0,025</sub>	135	80	260 <sup>0</sup> <sub>-0,035</sub>	180,0	225	5.760	3.168	16	24.900
180 <sup>0</sup> <sub>-0,025</sub>	155	100	290 <sup>0</sup> <sub>-0,035</sub>	196,1	250	8.000	4.400	14	33.600

Individual dimensions available on request.

The bearings are fitted with a newly developed slide layer **FLUROGLIDE®-MEDIA SOLID**, which does not lose its properties even in interaction with oil, grease etc. For spherical plain bearings up to the size 50, the hardened bearing shell is blasted on one side. From size 60, the spherical plain bearing comprises two half-shells, which are secured with a screw clamp.

## Materials

Outer ring: Stainless steel 1.4031 (Aisi 420), hardened  
 Inner ring: Stainless steel 1.4031 (Aisi 420), hardened, ground, polished,  
 hard-chromed on the sliding surface  
 Sealing: HPU



The permissible operating temperature is -30° C to + 130° C.

# Spherical plain bearing with new sliding coating FLUROGLIDE®-MEDIA SOLID

The new generation of bearings is particularly well suited for application areas in oily environments. The properties of the spherical plain bearings are not impaired by the effects of grease and oil either.

Running tests have shown that the expected life of 5 million cycles has been considerably exceeded. Both test series, whether dry running or lubricated with grease, achieved a life of over 6 million cycles. The friction properties are in similar ranges for both test series as well.

## Working life

