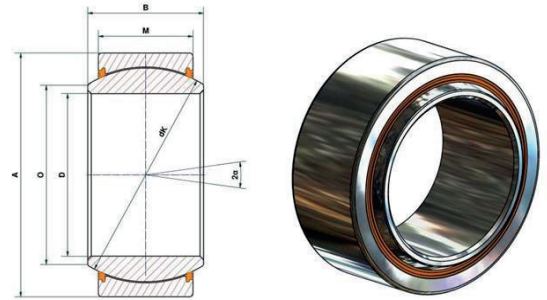


Spherical plain bearings GE...EWM-NIRO-2RSF with media-resistant sliding layer FLUROGLIDE®-MEDIA SOLID

For use in oily environments
For use in a corrosion-prone environment
Can be used for high static and dynamic loads



Size (D)	B	M	A	O	dK	Static load ratings C ₀ kN	Dynamic load ratings C kN	Tilting angle α (°)	Weight g
30 ⁰ / _{-0,010}	22	18	47 ⁰ / _{-0,011}	34,2	40,7	219	120,5	10	140
35 ⁰ / _{-0,012}	25	20	55 ⁰ / _{-0,013}	39,7	47	282	155	9	220
40 ⁰ / _{-0,012}	28	22	62 ⁰ / _{-0,013}	45,0	53	373	205	7	300
45 ⁰ / _{-0,012}	32	25	68 ⁰ / _{-0,013}	50,7	60	480	264	6	390
50 ⁰ / _{-0,012}	35	28	75 ⁰ / _{-0,013}	55,9	66	591	325	6	530
60 ⁰ / _{-0,015}	44	36	90 ⁰ / _{-0,015}	66,8	80	921	506	7	980
70 ⁰ / _{-0,015}	49	40	105 ⁰ / _{-0,015}	77,8	92	1.177	647	7	1.500
80 ⁰ / _{-0,015}	55	45	120 ⁰ / _{-0,015}	89,4	105	1.512	931	6	2.200
90 ⁰ / _{-0,020}	60	50	130 ⁰ / _{-0,018}	98,1	115	1.840	1.012	6	2.700
100 ⁰ / _{-0,020}	70	55	150 ⁰ / _{-0,018}	109,5	130	2.288	1.258	6	4.200
110 ⁰ / _{-0,020}	70	55	160 ⁰ / _{-0,025}	121,2	140	2.464	1.355	6	4.700
120 ⁰ / _{-0,020}	85	70	180 ⁰ / _{-0,025}	135,5	160	3.584	1.971	5	8.100
140 ⁰ / _{-0,025}	90	70	210 ⁰ / _{-0,030}	155,8	180	4.032	2.217	7	10.600
160 ⁰ / _{-0,025}	105	80	230 ⁰ / _{-0,030}	170,3	200	5.120	2.816	6	13.800
180 ⁰ / _{-0,025}	105	80	260 ⁰ / _{-0,035}	198,9	225	5.760	3.168	6	17.400
200 ⁰ / _{-0,030}	130	100	290 ⁰ / _{-0,035}	213,5	250	8.000	4.400	7	28.000

Individual dimensions available on request.

The bearings are fitted with a newly developed slide layer **FLUROGLIDE®-MEDIA SOLID**, which does not lose its properties even in interaction with oil, grease etc. For spherical plain bearings up to the size 60, the hardened bearing shell is blasted on one side. From size 70, the spherical plain bearing comprises two half-shells, which are secured with a screw clamp.

Materials

Outer ring: Stainless steel 1.4031 (Aisi 420), hardened
Inner ring: Stainless steel 1.4031 (Aisi 420), hardened, ground, polished,
hard-chromed on the sliding surface
Sealing: HPU



The permissible operating temperature is -30° C to +130° C.

Spherical plain bearing with new sliding coating FLUROGLIDE®-MEDIA SOLID

The new generation of bearings is particularly well suited for application areas in oily environments. The properties of the spherical plain bearings are not impaired by the effects of grease and oil either.

Running tests have shown that the expected life of 5 million cycles has been considerably exceeded. Both test series, whether dry running or lubricated with grease, achieved a life of over 6 million cycles. The friction properties are in similar ranges for both test series as well.

Working life

